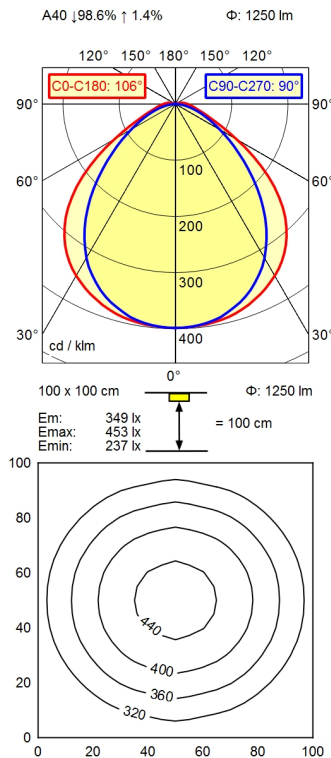


series 272



- light source
- work equipment
- connected load
- power consumption
- luminous flux
- luminous efficiency
- light distribution
- direct ratio
- beam angle
- colour temperature
- colour temperatur
- color rendering index (CRI)
- chromaticity tolerance LED
- glare control
- luminance (L65)
- unified glare rating (4H 8H)
- system of protection
- class of protection
- technology
- operation
- housing
- weight (net)
- mains lead
- fastening
- dimension
- light output
- side part
- special features

- LED
- without
- 230V, 50/60Hz
- env. 16 W
- approx. 1.250 lm
- approx. 78 lm/W
- direct
- approx. 99 %
- 100°
- neutral white
- approx. 5.000 K
- >= 80
- < 4 SDCM
- diffuser foil
- <= 16000 cd/m<sup>2</sup>
- <= 25
- IP 67
- I
- switchable
- external
- polycarbonate (PC), clear
- env. 1,1 kg
- connector; series 272
- pipe clamp (accessory)
- A=370 mm
- D= 316 mm
- A with screwed cable gland
- light forming